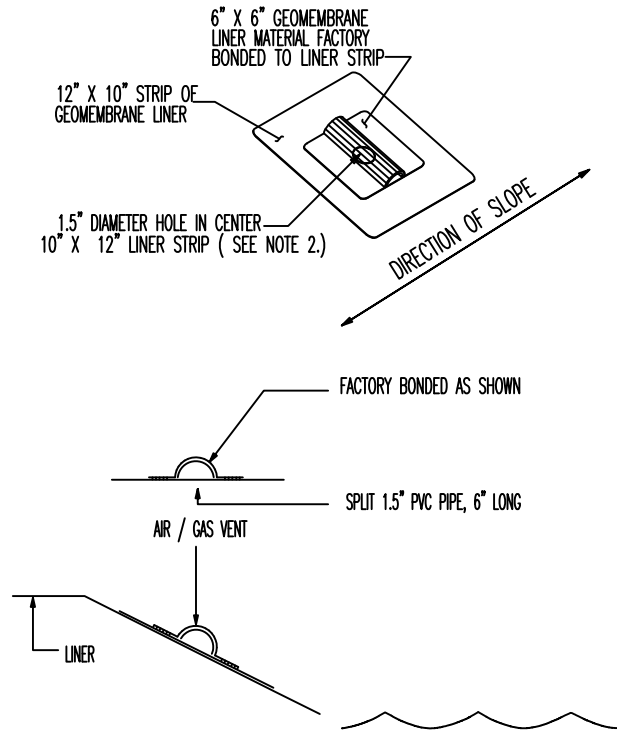


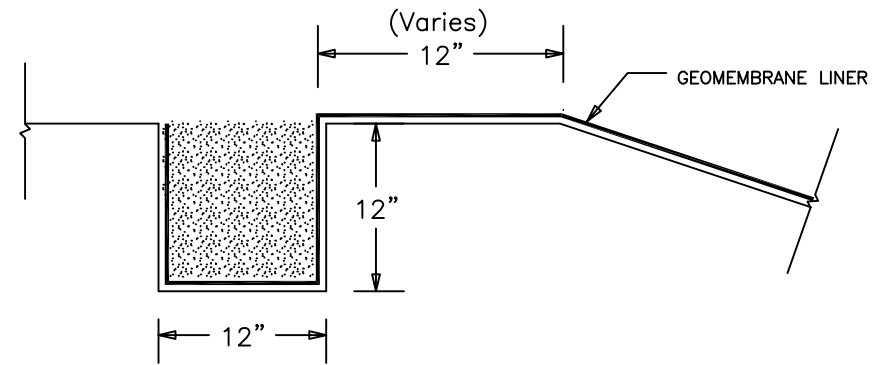
REVISIONS

REV	DESCRIPTION	DATE	APPROVED
-----	-------------	------	----------



AIR/GAS VENT DETAIL

- NOTE: 1. AIR/GAS VENTS ARE TYPICALLY USED ON EXPOSED LINING FOR SUBSURFACE VENTING AND WIND STABILIZATION.
 2. 1.5" DIAMETER HOLE IN AIR/GAS VENT TO BE LINED UP WITH 1.5" DIAMETER FIELD CUT HOLE IN LINER.
 3. TYPICAL VENT SPACING @ 50' O.C. AND A MINIMUM OF 12" ABOVE HWL AND 6" BELOW CREST UNLESS OTHERWISE SPECIFIED.



TYPICAL ANCHOR TRENCH DETAIL

(contact Lange Containment for alternative trench configurations)



LANGE CONTAINMENT SYSTEMS, INC.

5150 RACE COURT
 DENVER, CO 80216
 (303) 446-8644 FAX (303) 446-8798

Lange Containment Systems, Inc.

LINER VENT AND ANCHOR TRENCH DETAILS

SIZE: A	DRAWN BY: C. Thomas	APPROVED BY: _____	REV: ____
SCALE: 1" = NTS	DWG NO: Vent/Anchor	SHEET: 1 OF 1	DATE: 2/2/04