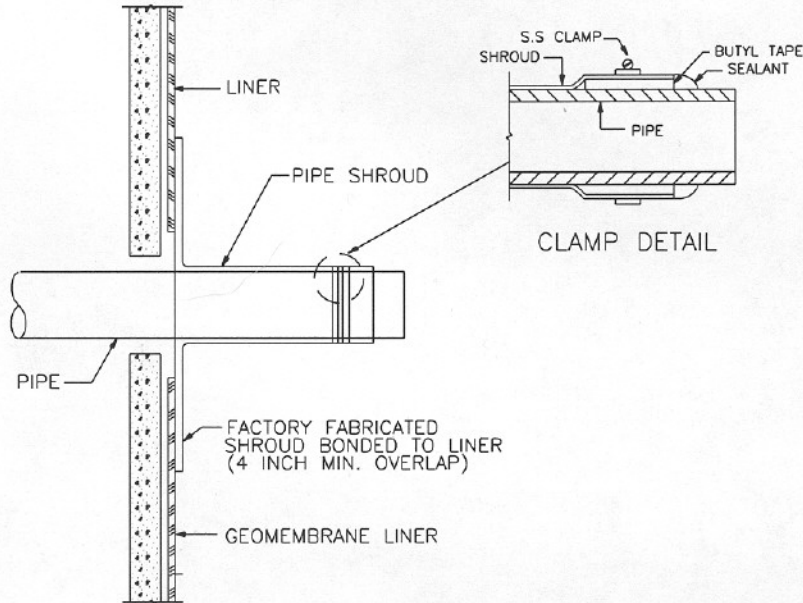


REVISIONS

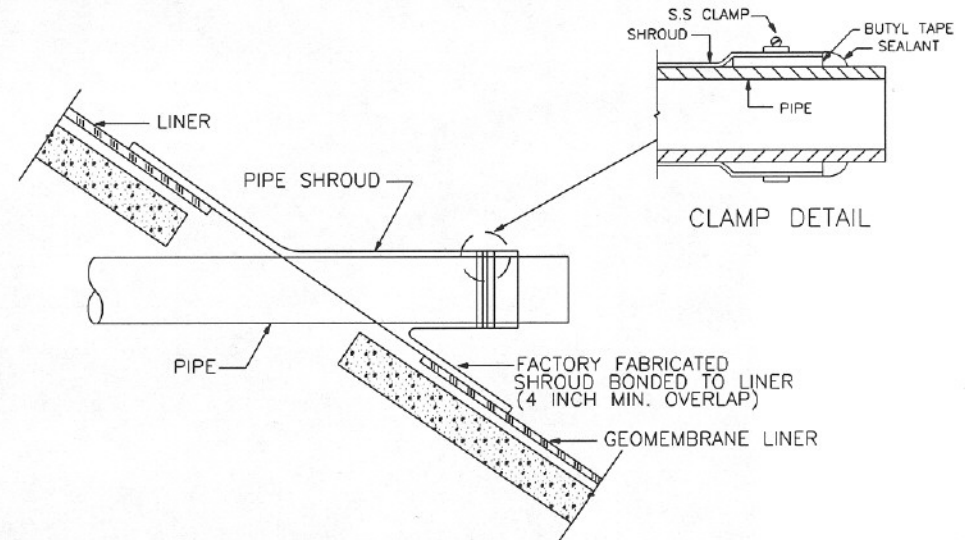
REV	DESCRIPTION	DATE	APPROVED
-----	-------------	------	----------



PIPE BOOT DETAIL - 90 DEGREE

REQUIREMENTS FOR FABRICATION:

1. O.D. (OUTSIDE DIAMETER) OF PIPE
2. THE ANGLE PIPE PENETRATES LINER



PIPE BOOT DETAIL - SPECIFIED ANGLE

REQUIREMENTS FOR FABRICATION:

1. O.D. (OUTSIDE DIAMETER) OF PIPE
2. THE ANGLE PIPE PENETRATES LINER



LANGE CONTAINMENT SYSTEMS, INC.

5150 RACE COURT
DENVER, CO 80216
(303) 446-8644 FAX (303) 446-8798

CUSTOMER NAME

PIPE BOOT DETAILS

SIZE: A	DRAWN BY: C. Thomas	APPROVED BY: _____	REV: ____
SCALE: 1" = NTS	DWG NO: PIPEBOOT_2A	SHEET: 1 OF 1	DATE: 2/2/04